

Jaw Options

Type	Description	Suitable for	ID
	Reversible grip jaw (1 piece)	KSC 80	0432715
		KSC 125	0432474
		KSC 160	0432614
	Reversible grip jaw height 40mm 18mm smooth, 3mm grip (1 piece)	KSC 125	0430387
	Combi jaw (1 piece)	KSC 125	0432468
	5-axis jaw width 125mm (1 piece)	KSC 125	0432472
	Reversible grip jaw width 40mm (1 piece)	KSC 80	0432716
	Reversible grip jaw width 65mm (1 piece)	KSC 125	0432717
	5-axis jaw width 65mm (1 piece)	KSC 125	0432473
		KSC 80	0432718
		KSC 160	0432623
	Aluminum soft jaw (1 piece)	KSC 80	0432718
		KSC 125	0432469
		KSC 160	0432623

995103 - 12/2020 ©2020 SCHUNK Intec Corp.



Superior Clamping and Gripping

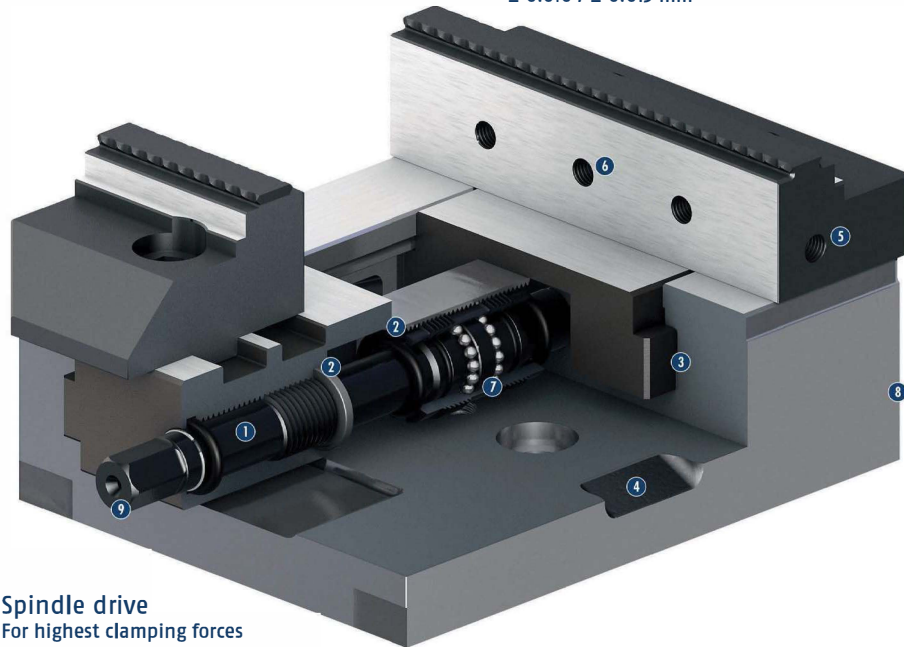


KONTEC KSC 80/125/160
Self-Centering Vise

Technology

- **Low Profile Design**
Low height and square shape for best workpiece accessibility
- **High Clamping Forces**
Maximum of 50kN for reliable clamping

- **Encapsulated Spindle**
Provides optimal protection against coolant and chips
- **High Repeat Accuracy**
Pre-tensioned ball-bearing spindle:
< ± 0.010 / ± 0.015 mm



- 1 Spindle drive**
For highest clamping forces
- 2 Double encapsulated spindle**
Provides optimal protection against coolant and chips
- 3 Long jaw guidance**
Offers optimal support for O.D. - and I.D. - clamping
- 4 Drainage grooves**
For coolant and chips
- 5 Mounting thread**
Already provided for workpiece stops
- 6 Standard jaw interface**
For using standard SCHUNK top jaws
- 7 Spindle mounted on ball bearings with zero play**
For highest repeat accuracy
- 8 Low height**
Increases the workspace of your machine
- 9 Operation with hexagon connection**
For easy operation

Multiple Mounting Options



Mounting with quick-change clamping system**

**Contact tech support for VERO-S kit



Mounting with two screws



Mounting position arranged with two fitting screws

Vise with Reversible Grip Jaws

Type	Description	ID	Jaw Width (mm)	max Clamping Force (kN)	Weight (kg)	Sale Price
KSC 80-130	Self-centering vise w/ reversible grip jaws	0432713	80	25	4	\$1375
KSC 125-160	Self-centering vise w/ reversible grip jaws	0432463	125	35	6.4	\$1730
KSC 125-300	Self-centering vise w/ reversible grip jaws	0432464	125	35	11.8	\$2360

Vise Only

Type	Description	ID	Jaw Width (mm)	max Clamping Force (kN)	Weight (kg)	Sale Price
KSC 80-130	Self-centering vise (not supplied w/jaws)	0432714	80	25	3	\$1045
KSC 125-160	Self-centering vise (not supplied w/jaws)	0432465	125	35	6.4	\$1295
KSC 125-300	Self-centering vise (not supplied w/jaws)	0432466	125	35	11.8	\$1979
KSC 160-480	Self-centering vise (not supplied w/jaws)	0432613	160	50	35	\$5149

Offer ends December 31, 2021.

Visit www.schunk.com/ca_en to learn more about Schunk's comprehensive manual clamping technology or call your local Thomas Skinner representative.